

PRODUCT TECHNICAL SHEET

Collection : **PILE & FACE**

Ref. : **1002.--.07**

Robinet double service équerre
Dubbele dienstkraan recht model
Double service tap, square model

Picture

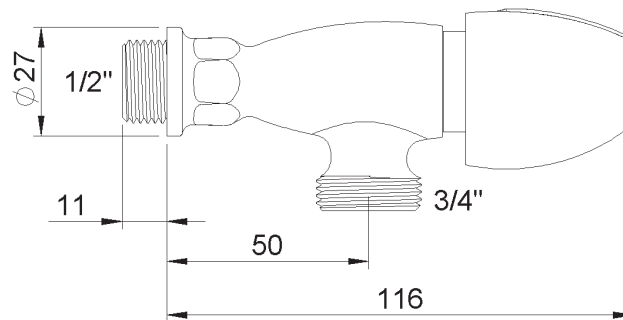
Product details

Weight : 0,6 kg



Internal mechanism : 1/3 turn compression valve

Technical drawing



RAO.V01